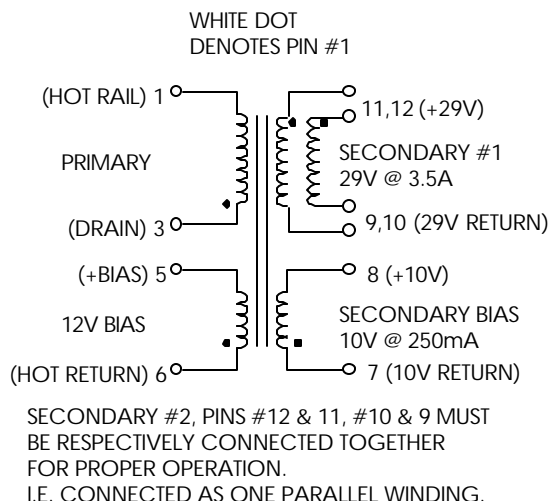


TABLE 1: ELECTRICAL SPECIFICATIONS AT 25 °C
 SWITCHING TRANSFORMER DESIGNED FOR USE WITH POWER INTEGRATIONS
 PWR-TOP227Y. BIAS & SEC BIAS ARE USED IN FORWARD MODE.

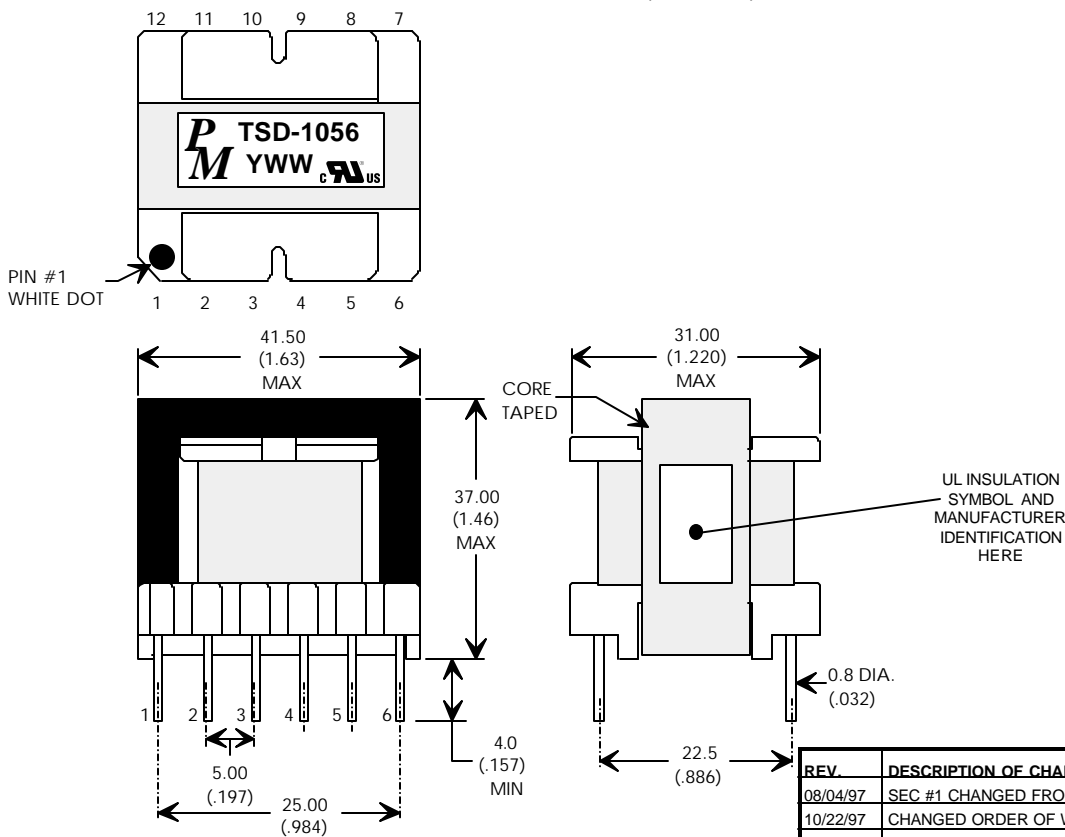
PARAMETER	SPEC LIMITS			UNITS
	MIN.	TYP.	MAX.	
PRIMARY INDUCTANCE (3-1) VOLTAGE = 0.250Vrms FREQUENCY = 100KHZ	900	1000	1100	μHY
TURN RATIO'S: SEC #1 (11,12-9,10) : PRIMARY (3-1) SEC BIAS (8-7) : PRIMARY (3-1) BIAS (6-5) : PRIMARY (3-1)	-----	1: 4.14 1: 19.33 1: 19.33	-----	± 4% ± 4% ± 4%
PRILEAKAGE IND. (SEC SHORTED) 0.250Vrms @ 100 KHZ	-----	-----	12.0	μHY
HI POT: PRIMARY TO SECONDARIES BIAS TO SECONDARIES	3000 3000	----- -----	----- -----	Vrms Vrms
DESIGN PARAMETERS: VOLTAGE DOUBLER DC INPUT VOLTS SECONDARY #1 @ 3.5A SEC BIAS @ 250mA FORWARD MODE PRI BIAS @ 25mA FORWARD MODE PEAK PRIMARY CURRENT REFLECTED VOLTAGE	210 ----- 9.0 9.0 ----- -----	----- 29.0 ----- ----- 2.1 123	380 ----- 22.0 22.0 ----- 135	Vdc Vdc Vdc Amps Volts

FIGURE 1: SCHEMATIC DIAGRAM



NOTE1:
REINFORCED INSULATION SYSTEM, UL1950, IEC950, CSA-950:
 A) ALL MATERIALS MEET "UL", "CSA" & "IEC" REQUIREMENTS
 B) TRIPLE BASIC INSULATED SECONDARY.
 C) DESIGNED TO MEET ≥6.2mm CREEPAGE REQUIREMENTS.
 D) VARNISH FINISHED ASSEMBLY.
 E) UL1950 & CSA-950 CERTIFIED: FILE #E162344.
 F) UL CLASS (B) 130 INSULATION SYSTEM PM130-R1, PM130-H1, PM130-H1A (UL FILE #E177139) OR ANY UL AUTHORIZED CLASS (B) INSULATION SYSTEM.

FIGURE 2: PHYSICAL DIMENSIONS mm (INCHES)



EI40, EE40, 12-PIN VERTICAL BOBBIN



UNLESS OTHERWISE SPECIFIED
 DIMENSIONS ARE IN MM
 DIMENSIONAL TOLERANCES ARE:
 DECIMALS ANGLES
 .X ± .25 ± 0° 30'
 .XX ± .15
 DO NOT SCALE DRAWING

REV.	DESCRIPTION OF CHANGES	BY
08/04/97	SEC #1 CHANGED FROM 12V TO 8V	TO
10/22/97	CHANGED ORDER OF WINDINGS & SEC #2 FROM 8V TO 10V	TO
04/17/98	CHANGED PRIMARY BIAS & SEC BIAS TO FORWARD MODE	TO
07/22/98	UPDATED MAX HEIGHT & WIDTH DIMENSIONS	AS
04/19/99	UPDATE TO UL CLASS (B) 130 INSULATION SYSTEM	MD

FLYBACK/FORWARD CONTROL DRAWING

PREMIER P/N: TSD-1056	REVISION: 04/19/99
DRAWN BY: TOM O'NEIL	REF: PWR-TOP227Y
SCALE: NONE	SHEET: 1 OF 5